



Great performance. Uncompromising quality.

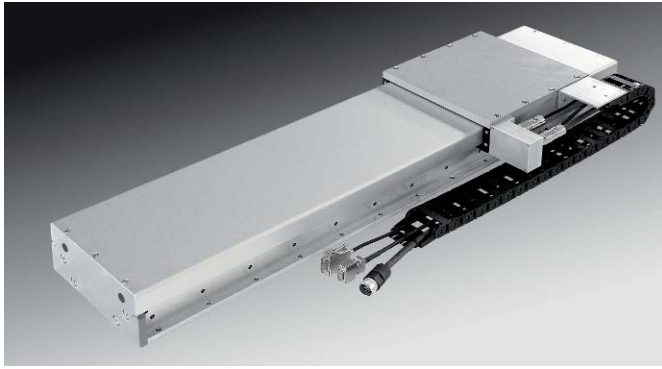
## YASKAWA Systems

Drive technology is the speciality of YASKAWA Engineering Systems Section. We develop and make an extensive and diverse assortment of drive systems, ranging from independent axis drives for machine and plant manufacturers right through to fully integrated systems which we make for the production lines of end users.

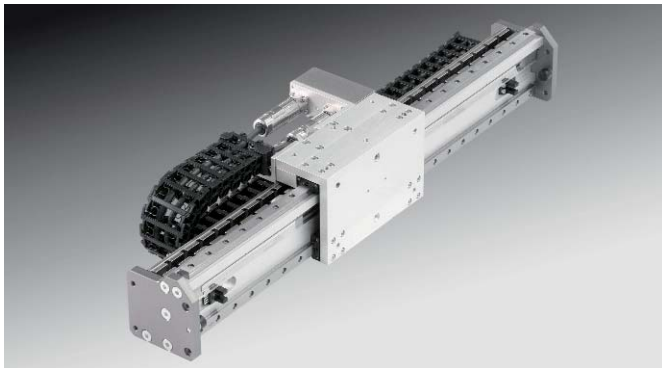
Concentrating entirely on customer requirements, our support leaves you free to devote your full attention to your business. For example, we offer end-to-end installation and start-up of your drive system. Our product range also includes a log of performance and precision statistics (laser measurement).



Cost-effective, high-performance, flexible, maintenance-friendly and long-lasting – these are what our customers are looking for in their machine systems and this is how we have been building them for years. Not off-the-shelf, but customised for specific situations and applications. We combine high-quality materials with innovative solutions. The result: user-friendly systems which are easy to maintain even after many years of service.



As globalisation increases and competition intensifies, so too the demands on our products and systems grow. Innovative solutions, top quality, and precision down to the last detail - these are the foundation stones we lay for a successful partnership with our customers and for their growth.



Our highly innovative and flexible system technology secures us a top ranking in the market - and does likewise for our customers in their markets. Indeed, we make sure that you are ready for operation and on the road to success! The high quality mindset of our staff and marked degree of vertical integration guarantee quality - irrespective of whether they are working on a partial solution or developing entire machine systems.

## Our service – your benefit

- We produce linear axis solutions for machine and plant manufacturers (OEMs) and turnkey systems for end users
- You develop your systems, we supply state-of-the-art drive technology
- You minimise your project risk because you can rely on our technological expertise in drive technology
- Your project run-time decreases because the drive technology is developed at the same time as your system
- We leave you free to concentrate on your core business
- Our input is the result of 25 years of experience in the manufacturing and automation industry

### Get in touch with us.

YASKAWA Engineering Europe GmbH

Nordring 55

63843 Niedernberg

Tel. +49 6028 9999-580

Fax: +49 6028 9999-596

E-Mail: [systems@yaskawa.de](mailto:systems@yaskawa.de)

[www.yaskawa-eng.eu.com](http://www.yaskawa-eng.eu.com)